

Line Filter, VI-HAM Harmonic Attenuator Module



Contents	Page
Product Specifications	1
Connecting Line Filter P/N 30205	1
Specifications	2

Product Specifications

The VI-HAM Harmonic Attenuator Module requires an external filter to meet international standards for EMI/RFI emissions, and incorporates transient surge protection, as outlined in the specifications below. When used in conjunction with the VI-HAM-CM family of modules, line filter P/N 30205 will meet the requirements of VFG 243 for conducted line noise.

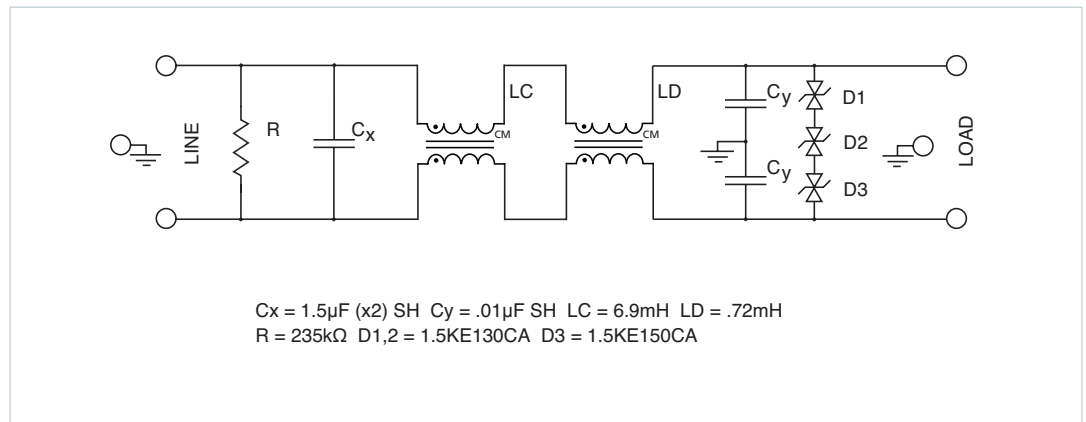


Figure 1
Schematic, VI-HAM Line Filter

Connecting Line Filter P/N 30205

Connect single phase AC mains to the input of the line filter via a 10A AC fuse. Connect the output of the filter to L1 and L2 of the VI-HAM (see Figure 2).

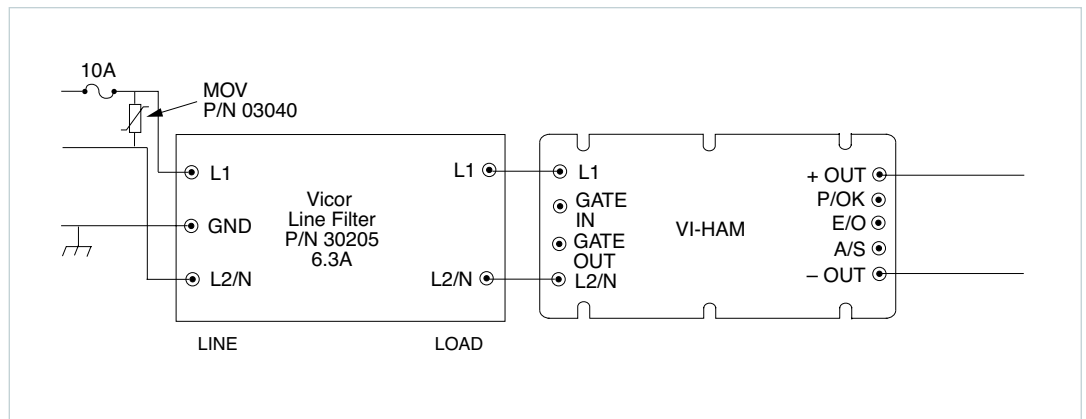
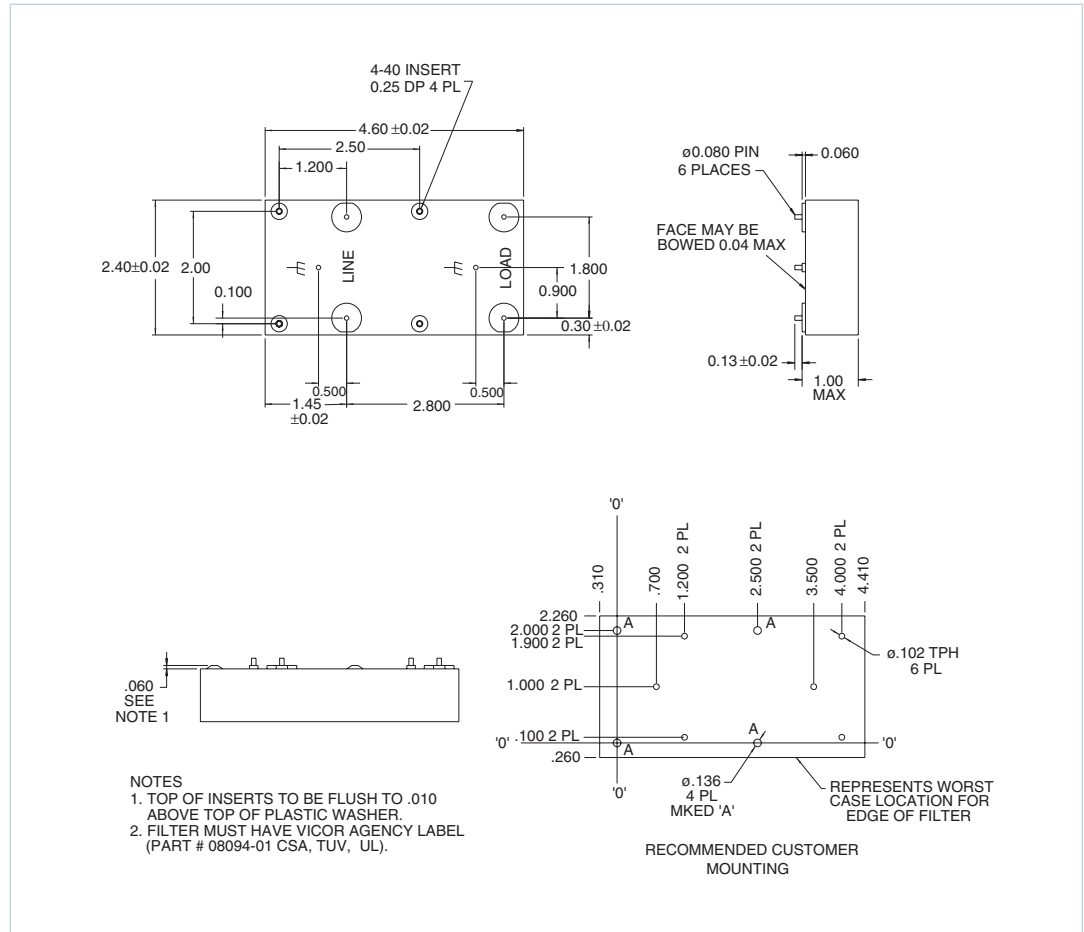


Figure 2
Connection Diagram, VI-HAM

Specifications

Voltage Range:	85 – 264V _{AC}
Current:	6.3A _{RMS}
Temperature Range:	–40°C to +40°C
Line Frequency:	47 – 63Hz
Leakage Current:	250V @ 60Hz, ≤1.2mA
Transient Surge:	1.2 / 50μs, 1kV pulse,
Withstand:	2 joules 0 – 360° phase angle; exceeds IEC 801-5 Level B
Weight:	16 ounces [457 grams]
Size:	2.4 x 4.6 x 1.0in (6.1 x 11.7 x 2.54cm)
Compatible Modules:	VI-HAM; C- and I-Grade
Agency Approvals:	UL, CSA, TÜV RoHS

Figure 3
Line Filter PIN 30205



Note: The 30205 line filter is not hermetically sealed and therefore should not be subjected to post solder aqueous rinse.

Limitation of Warranties

Information in this document is believed to be accurate and reliable. HOWEVER, THIS INFORMATION IS PROVIDED "AS IS" AND WITHOUT ANY WARRANTIES, EXPRESSED OR IMPLIED, AS TO THE ACCURACY OR COMPLETENESS OF SUCH INFORMATION. VICOR SHALL HAVE NO LIABILITY FOR THE CONSEQUENCES OF USE OF SUCH INFORMATION. IN NO EVENT SHALL VICOR BE LIABLE FOR ANY INDIRECT, INCIDENTAL, PUNITIVE, SPECIAL OR CONSEQUENTIAL DAMAGES (INCLUDING, WITHOUT LIMITATION, LOST PROFITS OR SAVINGS, BUSINESS INTERRUPTION, COSTS RELATED TO THE REMOVAL OR REPLACEMENT OF ANY PRODUCTS OR REWORK CHARGES).

Vicor reserves the right to make changes to information published in this document, at any time and without notice. You should verify that this document and information is current. This document supersedes and replaces all prior versions of this publication.

All guidance and content herein are for illustrative purposes only. Vicor makes no representation or warranty that the products and/or services described herein will be suitable for the specified use without further testing or modification. You are responsible for the design and operation of your applications and products using Vicor products, and Vicor accepts no liability for any assistance with applications or customer product design. It is your sole responsibility to determine whether the Vicor product is suitable and fit for your applications and products, and to implement adequate design, testing and operating safeguards for your planned application(s) and use(s).

VICOR PRODUCTS ARE NOT DESIGNED, AUTHORIZED OR WARRANTED FOR USE IN LIFE SUPPORT, LIFE-CRITICAL OR SAFETY-CRITICAL SYSTEMS OR EQUIPMENT. VICOR PRODUCTS ARE NOT CERTIFIED TO MEET ISO 13485 FOR USE IN MEDICAL EQUIPMENT NOR ISO/TS16949 FOR USE IN AUTOMOTIVE APPLICATIONS OR OTHER SIMILAR MEDICAL AND AUTOMOTIVE STANDARDS. VICOR DISCLAIMS ANY AND ALL LIABILITY FOR INCLUSION AND/OR USE OF VICOR PRODUCTS IN SUCH EQUIPMENT OR APPLICATIONS AND THEREFORE SUCH INCLUSION AND/OR USE IS AT YOUR OWN RISK.

Terms of Sale

The purchase and sale of Vicor products is subject to the Vicor Corporation Terms and Conditions of Sale which are available at: (<http://www.vicorpower.com/termsconditionswarranty>)

Export Control

This document as well as the item(s) described herein may be subject to export control regulations. Export may require a prior authorization from U.S. export authorities.

Contact Us: <http://www.vicorpower.com/contact-us>

Vicor Corporation

25 Frontage Road
Andover, MA, USA 01810
Tel: 800-735-6200
Fax: 978-475-6715
www.vicorpower.com

email

Customer Service: custserv@vicorpower.com
Technical Support: apps@vicorpower.com